



TSP

TWO-STAGE STAINLESS STEEL CENTRIFUGAL PUMP



AMERICAN STAINLESS PUMPS, INC.
Stainless Steel Pumps for the Commercial Marketplace

TSP

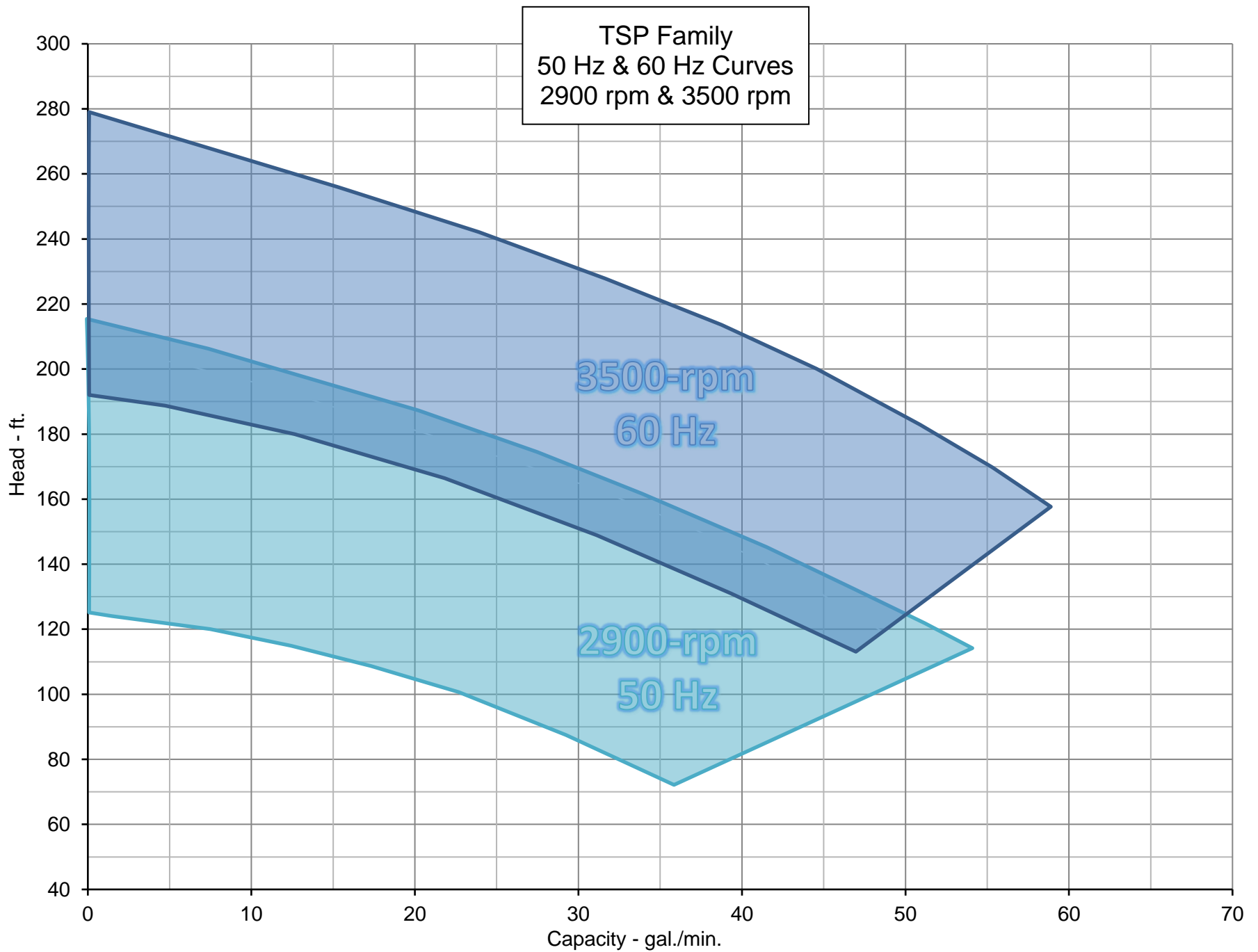
Two-Stage Stainless Steel Centrifugal Pump

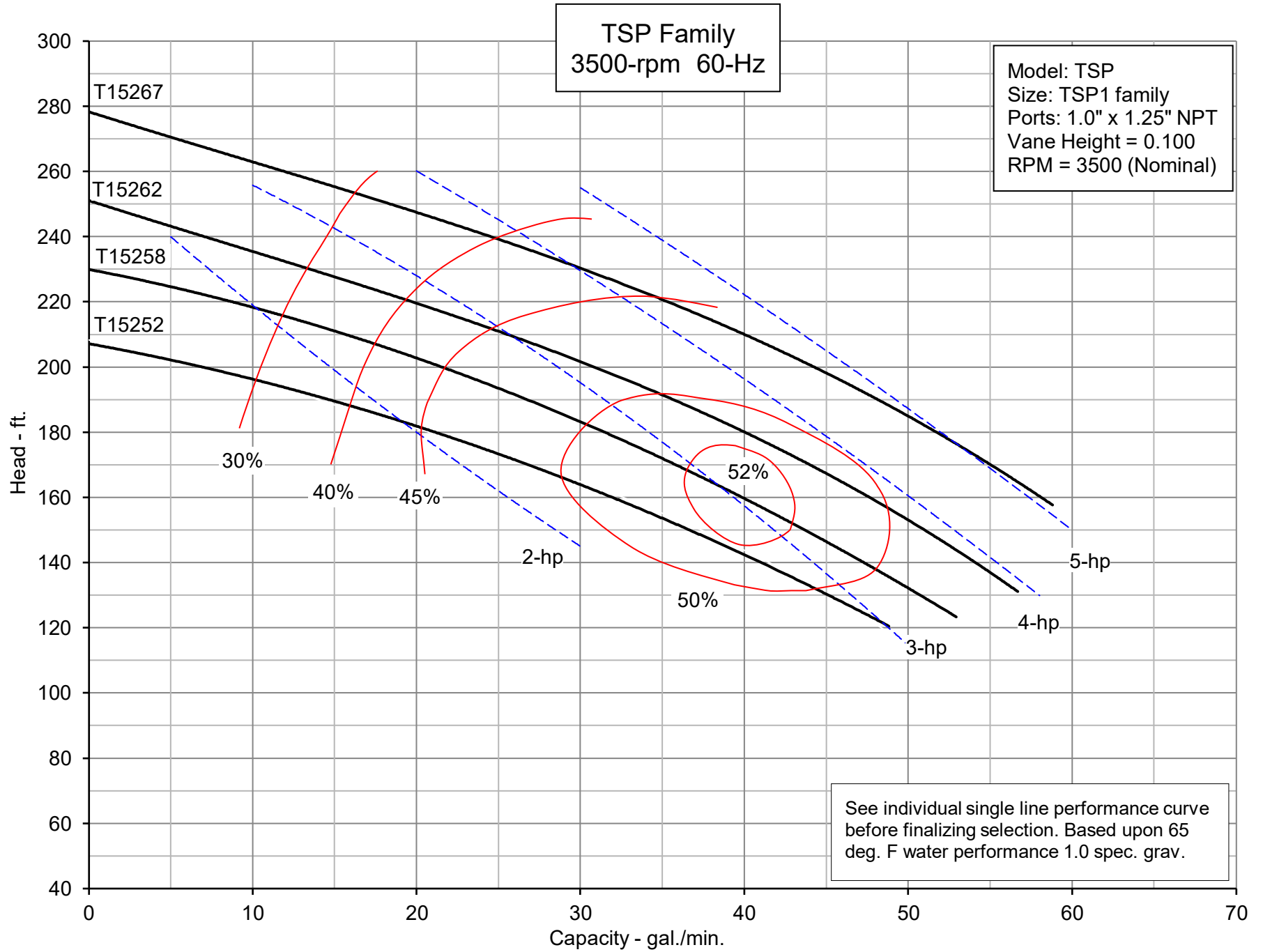


The Model TSP is a close-coupled, end suction, two stage, enclosed impeller, back pull-out, centrifugal pump. Suction and discharge connections are NPT threaded. All wetted metal pump parts are 18-8, 304SS or better. O-rings and elastomeric seal parts may be Buna, Viton, or EPR. Motors are specially built, based upon a NEMA 56 frame, with a C-Face mounting flange and an extended keyed shaft. All pumps use a mechanical seal to prevent leakage around the motor shaft.

Features

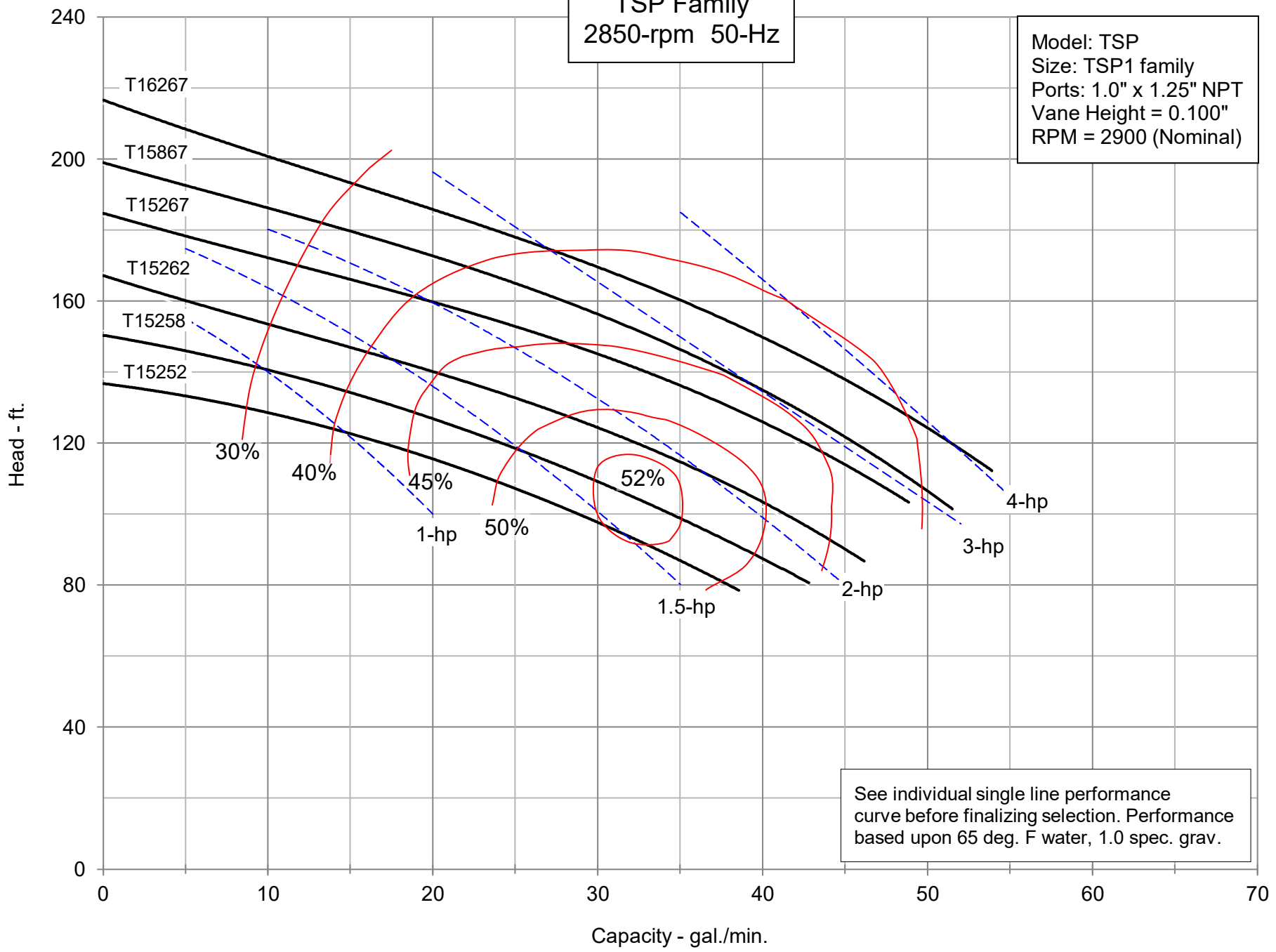
- Two stage pump produces heads up to 270 feet (117 psi with water).
- Flow Rates up to 60 gpm
- System pressures up to 120 psig
- Temperatures up to 250°F
- Impellers up to 6.7" in diameter
- Service in both 50 and 60Hz
- 56J Modified Frame: 3 and 5HP TEFC motors available from stock
- 1.0" x 1.25" NPT Connections
- Multiple mechanical seal configurations





**TSP Family
2850-rpm 50-Hz**

Model: TSP
 Size: TSP1 family
 Ports: 1.0" x 1.25" NPT
 Vane Height = 0.100"
 RPM = 2900 (Nominal)



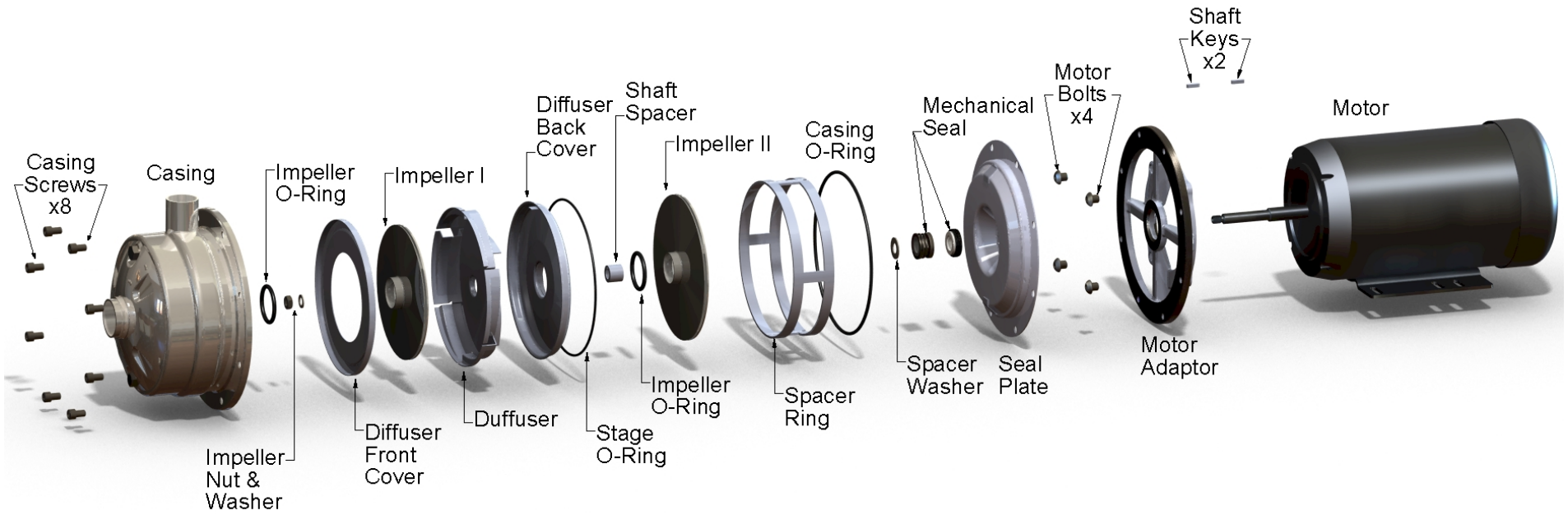
See individual single line performance curve before finalizing selection. Performance based upon 65 deg. F water, 1.0 spec. grav.



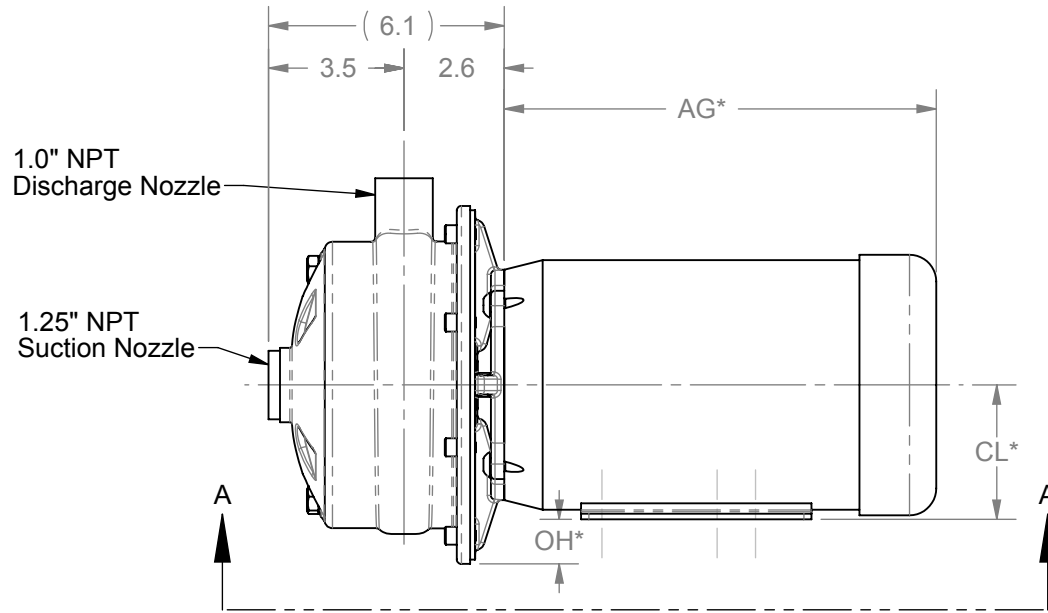
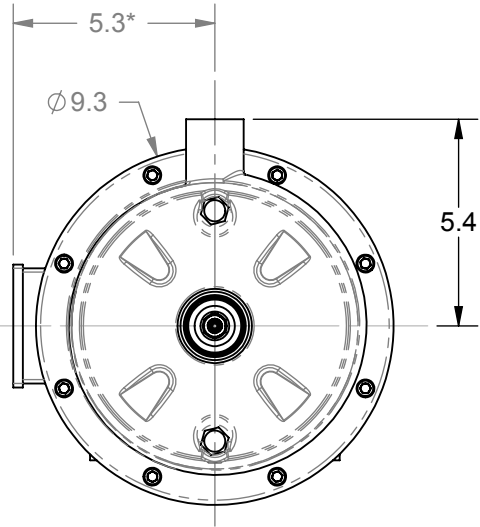
AMERICAN STAINLESS PUMPS

Stainless Steel Pumps for the Commercial Marketplace

Model TSP Exploded View

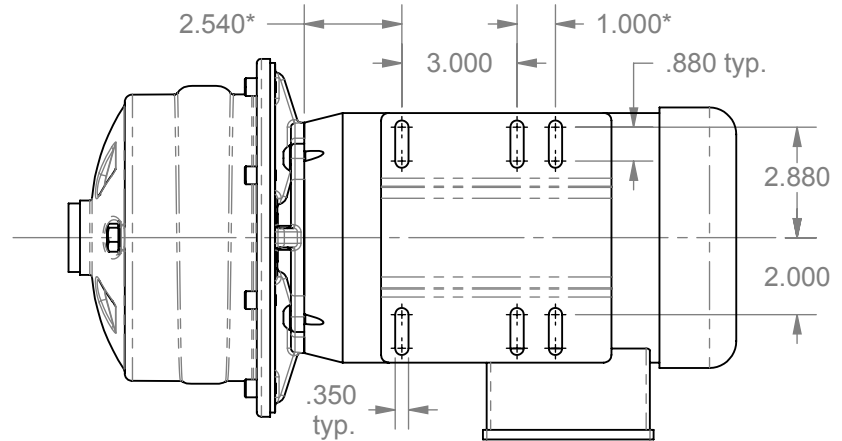


THE INFORMATION CONTAINED IN THIS DRAWING IS THE SOLE PROPERTY OF AMERICAN STAINLESS PUMPS ANY REPRODUCTION IN PART OR WHOLE WITHOUT THE WRITTEN PERMISSION OF AMERICAN STAINLESS PUMPS IS PROHIBITED.



Motor HP	Enc.	Power	AG	CL	OH	Lbs.
3	TEFC	3-phase 60-Hz	12.18	3.5	1.2	66
5	TEFC	3-phase 60 Hz	13.56	3.5	1.2	72

* May vary by motor manufacturer.



MOUNTING HOLES SECTION A-A

MATERIAL: 304 SS Wetted Parts

MANUFACTURING PROCESS:

CAD GENERATED DRAWING NOT FOR CONSTRUCTION UNLESS INDICATED. DO NOT SCALE DRAWING.

ASP AMERICAN STAINLESS PUMPS
LOS ANGELES, CALIFORNIA

PART NO.

SHEET NAME:

Footed Motor

DRAWN BY: MWC

FILE NAME:

TSP Outline Drawing

CHECKED BY: MFB

RELEASED BY: BOTH

SHEET: A

SCALE: 1:5

PATH:

REV.

1

DATE

1/10/17

SHEET 1 OF 1

WHEN NOT NOTED OTHERWISE
ALL DIMENSIONS IN INCHES. CHAMFER MACHINED EDGES 0.03. REMOVE ALL BURRS. FILLET CORNERS 0.06. RADIAL & DIAMETRICAL DIMENSIONS ARE TO BE HELD TO $\pm .002$ SYMMETRICAL TOLERANCE, AND ARE CONCENTRIC WITH PART CENTERLINES.

RELEASED FOR CONSTRUCTION? **YES**
TOLERANCES UNLESS OTHERWISE INDICATED

FRACTIONS	DECIMAL	ANGULAR
1/X \pm 1/32	.X \pm 0.015	X \pm .5°
1/XX \pm 1/64	.XX \pm 0.01	.X \pm .1°
	.XXX \pm 0.005	.XX \pm .02°
	.XXXX \pm 0.001	

REV.	REVISION DESCRIPTION	DATE
1	Updated Assembly Weight	1/10/17
0	ORIGINAL DOCUMENT	2/1/12

TSP Catalog Number Nomenclature

Rev. Date
5/15/2013

T 1 52 68 4 5 T 3 F

Sample code for a model TSP, size 1x1.25
with a 5.2" diameter impeller (1st Stage) and a 6.8" diameter impeller (2nd Stage)
Carbon / Silicon Carbide / Viton, Type 16 mechanical seal,
with a 5 HP, TEFC, 3/60/230-460V footed motor

1st Symbol	Pump Model	T = TSP: 304 SS, two-stage pump, threaded connections
-------------------	------------	---

2nd Symbol	Size Code	1 = 1.0" x 1.25" NPT female threaded nozzles
-------------------	-----------	--

3rd & 4th Symbol	1st Stage Impeller Diameter	Digits indicate impeller diameter in inches (decimal form) Examples: 52 = 5.2" and 68 = 6.8"
-----------------------------	-----------------------------	---

5th & 6th Symbol	2nd Stage Impeller Diameter	Digits indicate impeller diameter in inches (decimal form) Examples: 52 = 5.2" and 68 = 6.8"
-----------------------------	-----------------------------	---

7th Symbol	Mechanical Seal Type & Materials	<table border="1" style="width: 100%; border-collapse: collapse;"> <tr> <th colspan="2" style="text-align: left;">Type 16</th> <th colspan="2" style="text-align: left;">Type 21</th> </tr> <tr> <td>B = Car/Cer/Buna</td> <td>Stock</td> <td colspan="2" style="border: 1px solid black;">Consult Factory</td> </tr> <tr> <td>E = Car/Cer/EPR</td> <td>Stock</td> <td colspan="2"></td> </tr> <tr> <td>V = Car/Cer/Viton</td> <td>Stock</td> <td colspan="2"></td> </tr> <tr> <td>4 = Car/SiC/Viton</td> <td>Stock</td> <td colspan="2" style="text-align: center;">Standard</td> </tr> <tr> <td>5 = Car/SiC/EPR</td> <td>Stock</td> <td colspan="2"></td> </tr> <tr> <td>6 = SiC/SiC/Buna</td> <td>Stock</td> <td colspan="2"></td> </tr> <tr> <td>7 = SiC/SiC/EPR</td> <td>Stock</td> <td colspan="2"></td> </tr> <tr> <td>8 = SiC/SiC/Viton</td> <td>Stock</td> <td colspan="2"></td> </tr> <tr> <td>X = Special</td> <td></td> <td colspan="2"></td> </tr> </table>	Type 16		Type 21		B = Car/Cer/Buna	Stock	Consult Factory		E = Car/Cer/EPR	Stock			V = Car/Cer/Viton	Stock			4 = Car/SiC/Viton	Stock	Standard		5 = Car/SiC/EPR	Stock			6 = SiC/SiC/Buna	Stock			7 = SiC/SiC/EPR	Stock			8 = SiC/SiC/Viton	Stock			X = Special			
Type 16		Type 21																																								
B = Car/Cer/Buna	Stock	Consult Factory																																								
E = Car/Cer/EPR	Stock																																									
V = Car/Cer/Viton	Stock																																									
4 = Car/SiC/Viton	Stock	Standard																																								
5 = Car/SiC/EPR	Stock																																									
6 = SiC/SiC/Buna	Stock																																									
7 = SiC/SiC/EPR	Stock																																									
8 = SiC/SiC/Viton	Stock																																									
X = Special																																										
Material Index	Material Format: Rotating Face / Stationary Face / Elastomer Car = Carbon Cer = Ceramic SiC = Silicon Carbide	Note: Standard case and impeller o-ring material will match seal elastomer as selected above.																																								

8th Symbol	Motor HP	A = 1/3 HP B = 1/2 HP C = 3/4 HP	1 = 1 HP E = 1.5 HP 2 = 2 HP	3 = 3 HP 5 = 5 HP
-------------------	----------	--	------------------------------------	----------------------

9th Symbol	Motor Enclosure	D = Dripproof T = TEFC	X = Explosion Proof W = Washdown Duty	S = Stainless Steel Motor (Special) V = TENV (Special)
-------------------	-----------------	---------------------------	--	---

10th Symbol	Motor Power Details	Power Rating	3500 RPM	1750 RPM	2900 RPM
		1/60/115-230V	1	A	
		1/60/230V	2	B	
		3/60/230-460V	3	C	
		3/60/460V	4	D	
		3/60/575V	5	E	
		1/50 or 1/60 (dual)	V	G	V
		3/50 or 3/60 (dual)	S	U	S
		Special	X	X	X
		1/50/110-220V			W
		1/50/220V			Y
		3/50/380V			Z

11th Symbol & Up	Special Construction Code. Consult factory for pricing and details. May indicate special OEM configuration.	F = Footed Motor T = Thermal Overload Protection (3 phase motors only) X = Special - Consult factory with serial number
-----------------------------	---	---